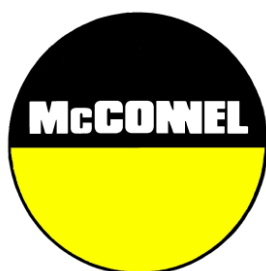


Publication 853
October 2016
Part No. 23671.53



McCONEl

ROBO-TRENCHER

ROBOCUT ACCESSORY

Operation & Parts Manual



ROBO-TRENCHER

Parts Manual



For best performance ...

USE ONLY GENUINE McCONNEL SERVICE PARTS

*To be assured of the latest design improvements purchase your
'Genuine Replacements' from the 'Original Equipment Manufacturer'*

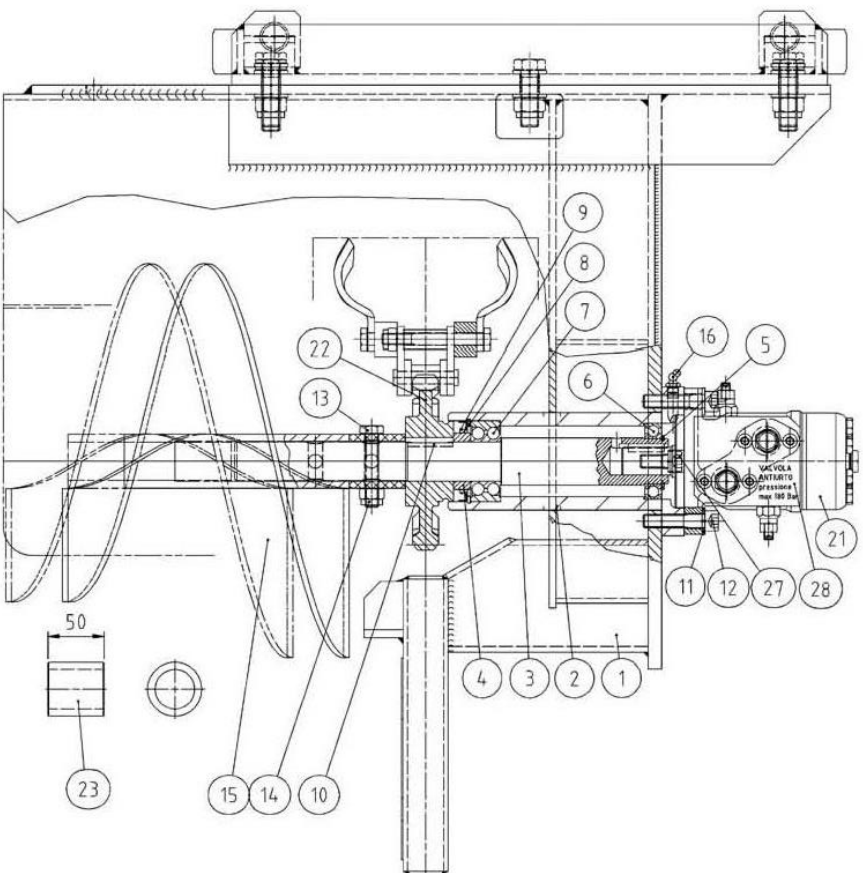
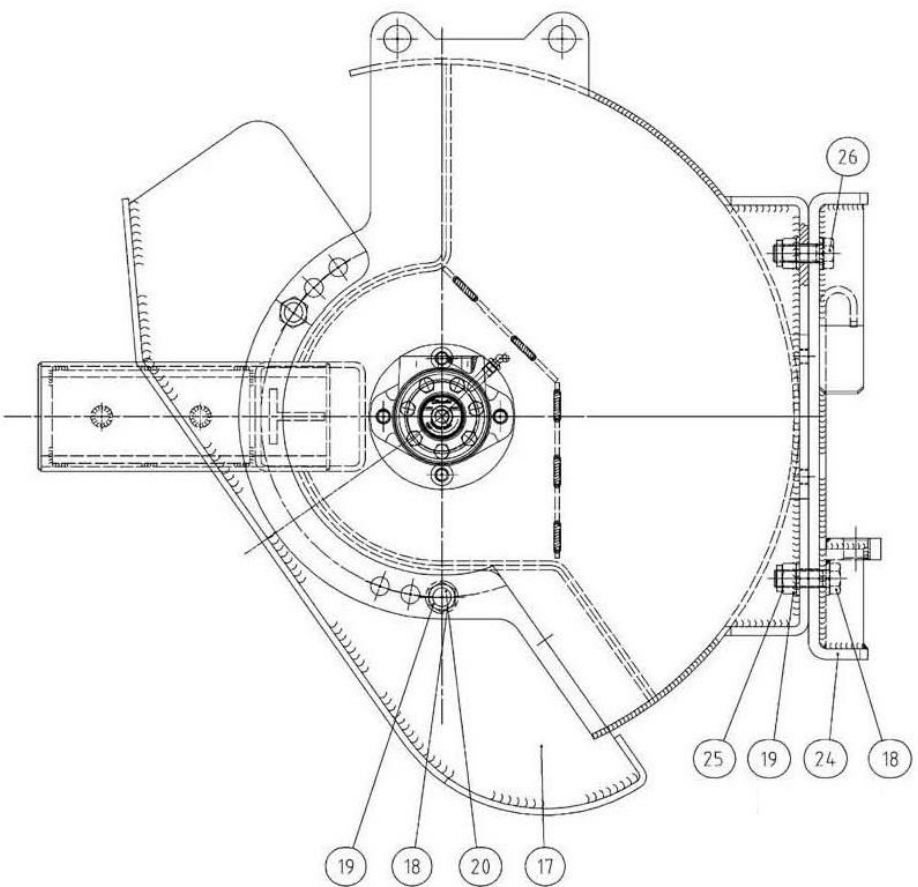
McCONNEL LIMITED

Through your local Dealer or Stockist

Always quote:

- ***Machine Type***
- ***Serial Number***
- ***Part Number***

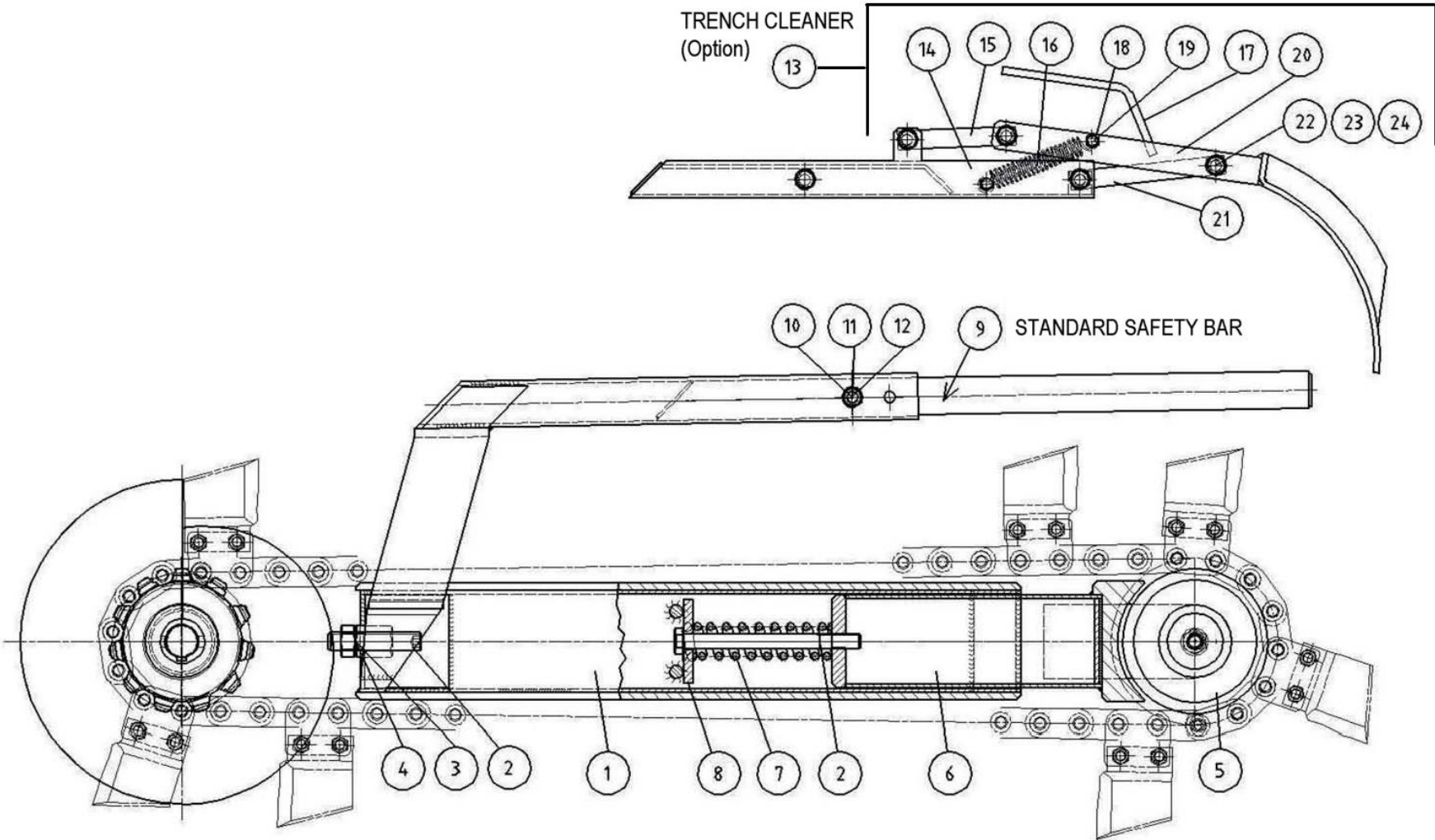
*Design improvements may alter some of the parts listed in this manual –
the latest part will always be supplied when it is interchangeable with an earlier one.*



MAIN FRAME MODULE**McCONNEL**

Product: ROBO-TRENCHER

REF.	QTY.	PART No.	DESCRIPTION
			MAIN FRAME MODULE
1	1	4001551	FRAME
2	1	4001552	COVER
3	1	4001553	SHAFT
4	1	4001554	SPACER
5	1	4001555	RING
6	1	4001556	BEARING
7	1	4001557	BEARING
8	1	4001558	RING
9	1	4001559	RING
10	1	4001560	TONGUE
11	2	4001561	WASHER
12	2	4001562	BOLT
13	1	4001563	BOLT
14	1	4001564	NUT
15	1	4001565	AUGER
16	1	4001566	GREASE NIPPLE
17	1	4001567	STAND
18	4	4001568	BOLT
19	16	4001569	WASHER
20	2	4001570	NUT
21	1	4001571	MOTOR
22	1	4001572	SPROCKET
23	1	4001573	SPACER
24	1	4001574	PLATE
25	6	4001575	NUT
26	4	4001576	BOLT
27	2	4001577	BOLT
28	1	4001578	VALVE



BOOM MODULE**McCONNEL**

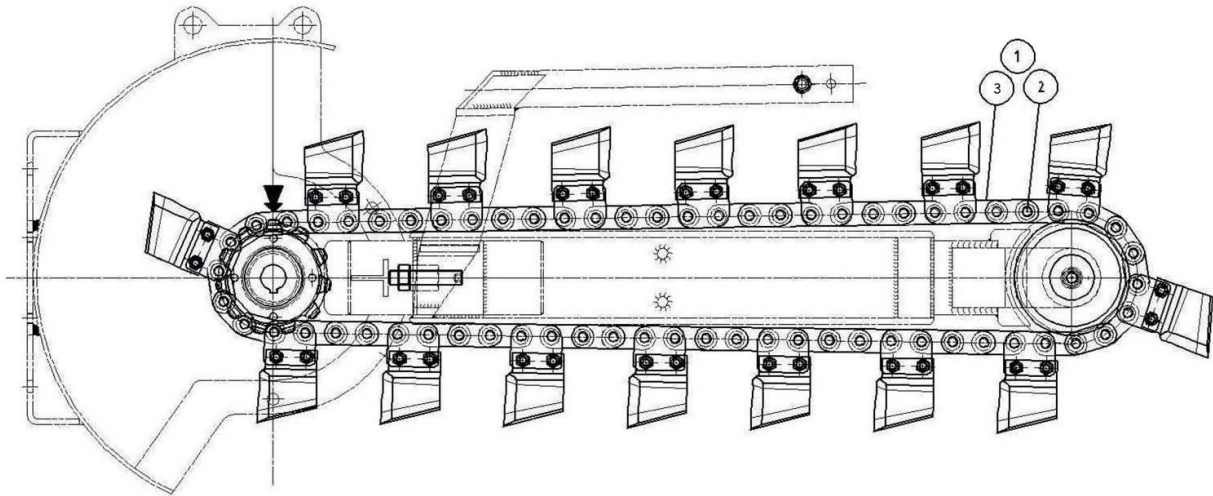
Product: ROBO-TRENCHER

REF.	QTY.	PART No.	DESCRIPTION
			BOOM MODULE
1	1	4001579	BOOM
2	2	4001580	BOLT
3	1	4001581	NUT
4	1	4001582	WASHER
5	1	4001583	SPROCKET
6	1	4001597	FLANGE
7	1	4001598	SPRING
8	1	4001599	PLATE
9	1	4001584	SAFETY BAR
10	1	4001585	BOLT
11	1	4001586	WASHER
12	1	4001587	NUT
13	1	4001588	TRENCH CLEANER (Option) c/o
14	1	4001589	MOUNT ARM
15	1	4001590	LEVER
16	1	4001591	SPRING
17	1	4001592	HANDLE
18	2	4001593	BOLT
19	2	4001594	NUT
20	1	4001595	SAFETY BAR / CLEANER
21	1	4001596	LEVER
22	5	4001585	BOLT
23	5	4001586	WASHER
24	5	4001587	NUT

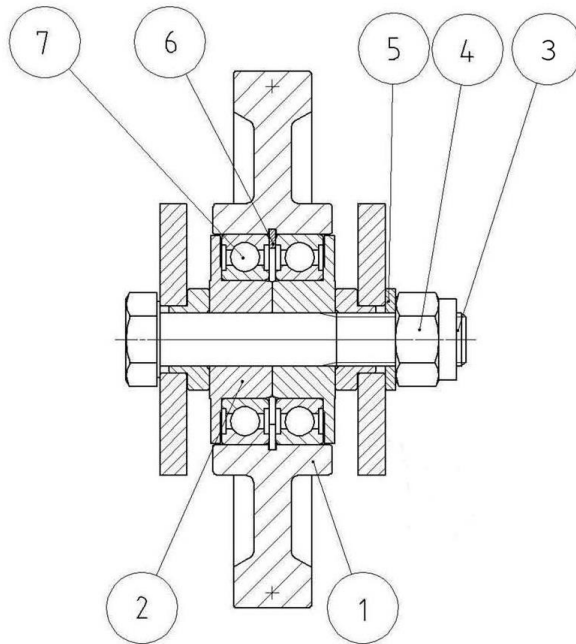
CHAIN MODULE

Product: ROBO-TRENCHER

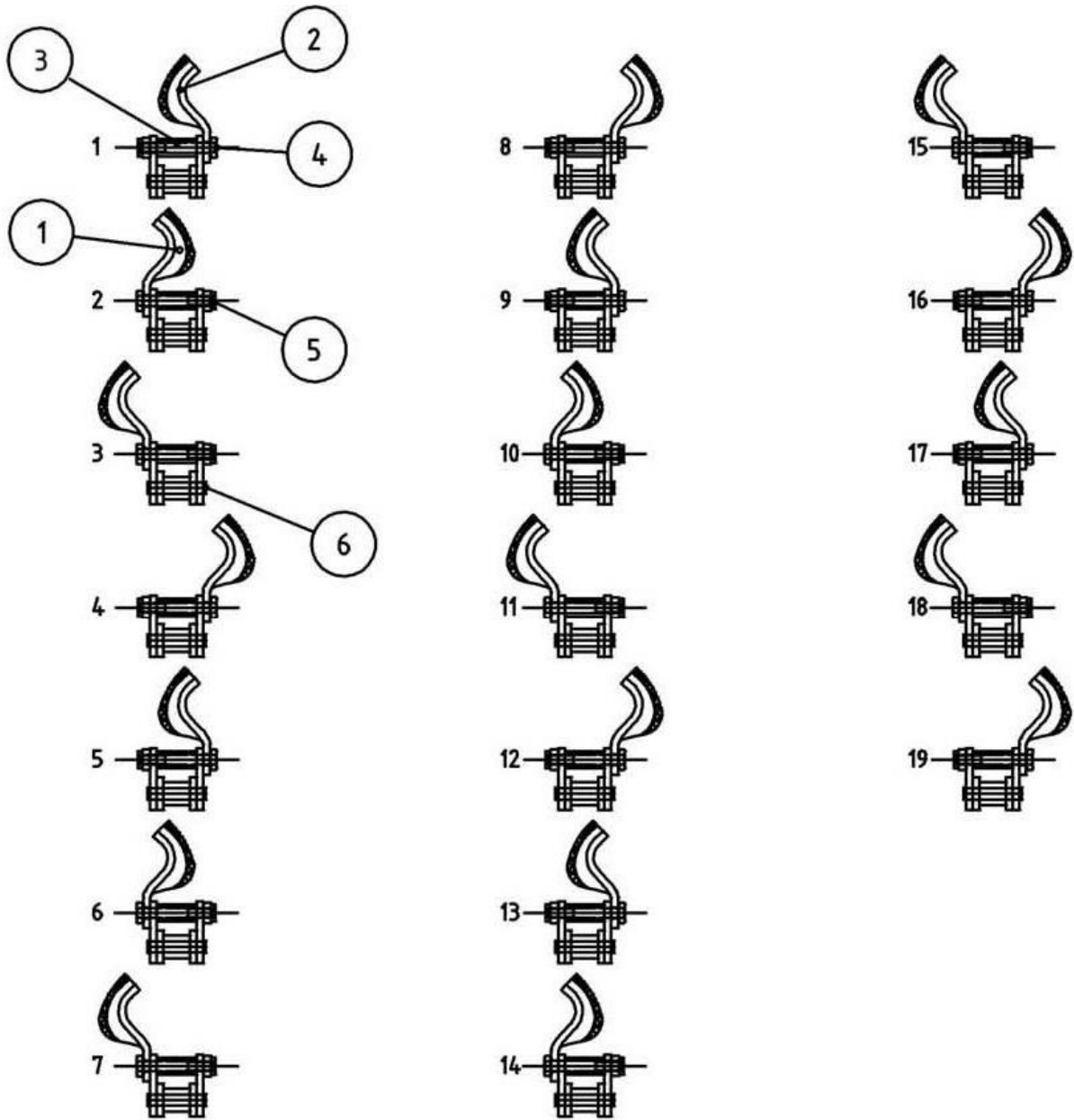
McCONNEL



REF.	QTY.	PART No.	DESCRIPTION
1	1	4001608	TRENCHER CHAIN
2	-	4001606	CHAIN PIN PLATE
3	-	4001607	LINK



REF.	QTY.	PART No.	DESCRIPTION
SPROCKET ASSEMBLY			
1	1	4001600	SPROCKET
2	2	4001601	SPACER
3	1	4001602	PIN
4	1	4001603	NUT
5	1	4001569	WASHER
6	1	4001604	RING
7	2	4001605	BEARING

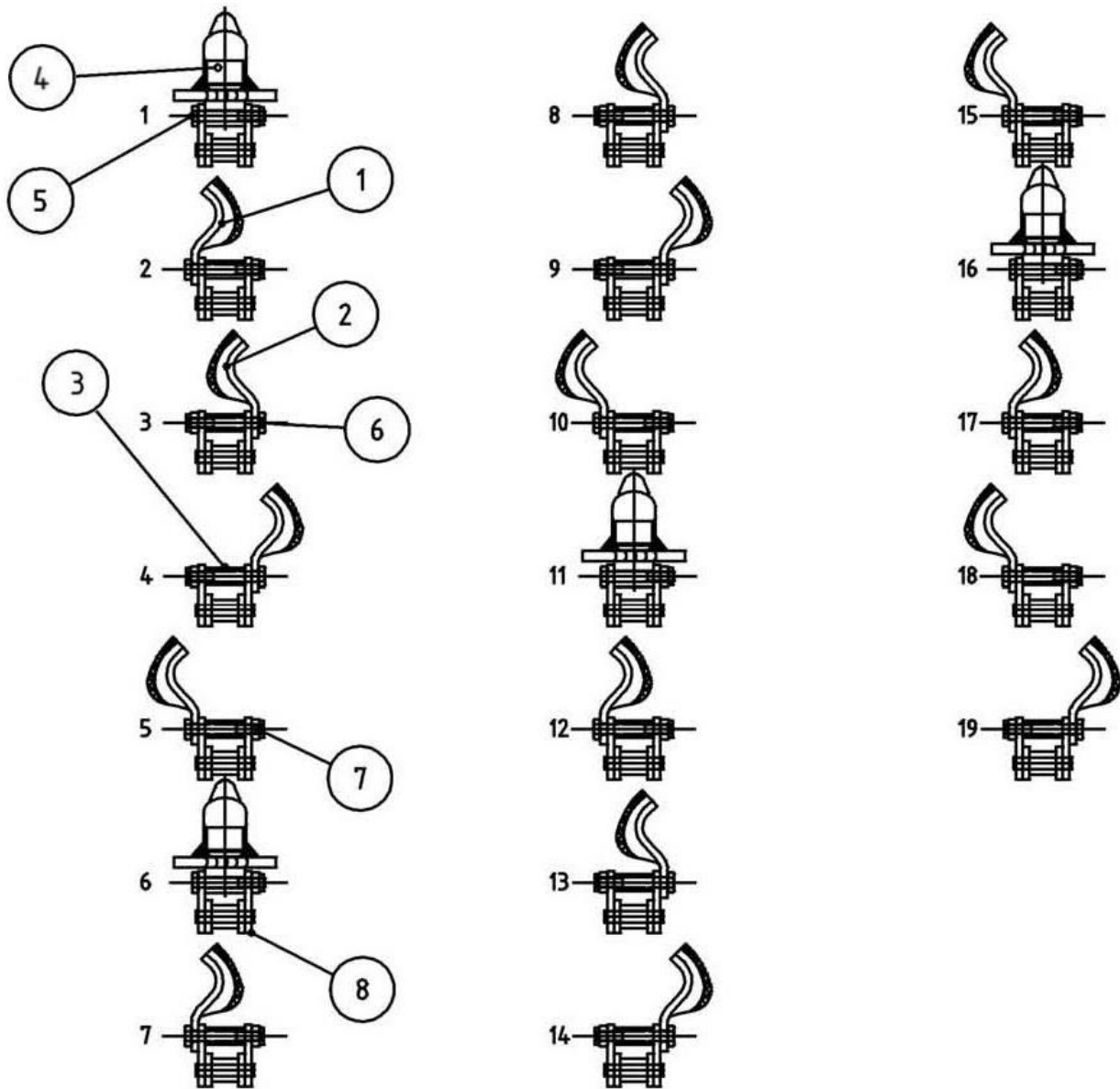


REF.	QTY.	PART No.	DESCRIPTION
			STANDARD CHAINSET 15x100
1	9	4001609	TRENCHING TOOTH - LH SCOOP
2	10	4001610	TRENCHING TOOTH - RH SCOOP
3	38	4001611	SPACER
4	38	4001612	BOLT
5	38	4001615	NUT
6	1	4001608	CHAIN

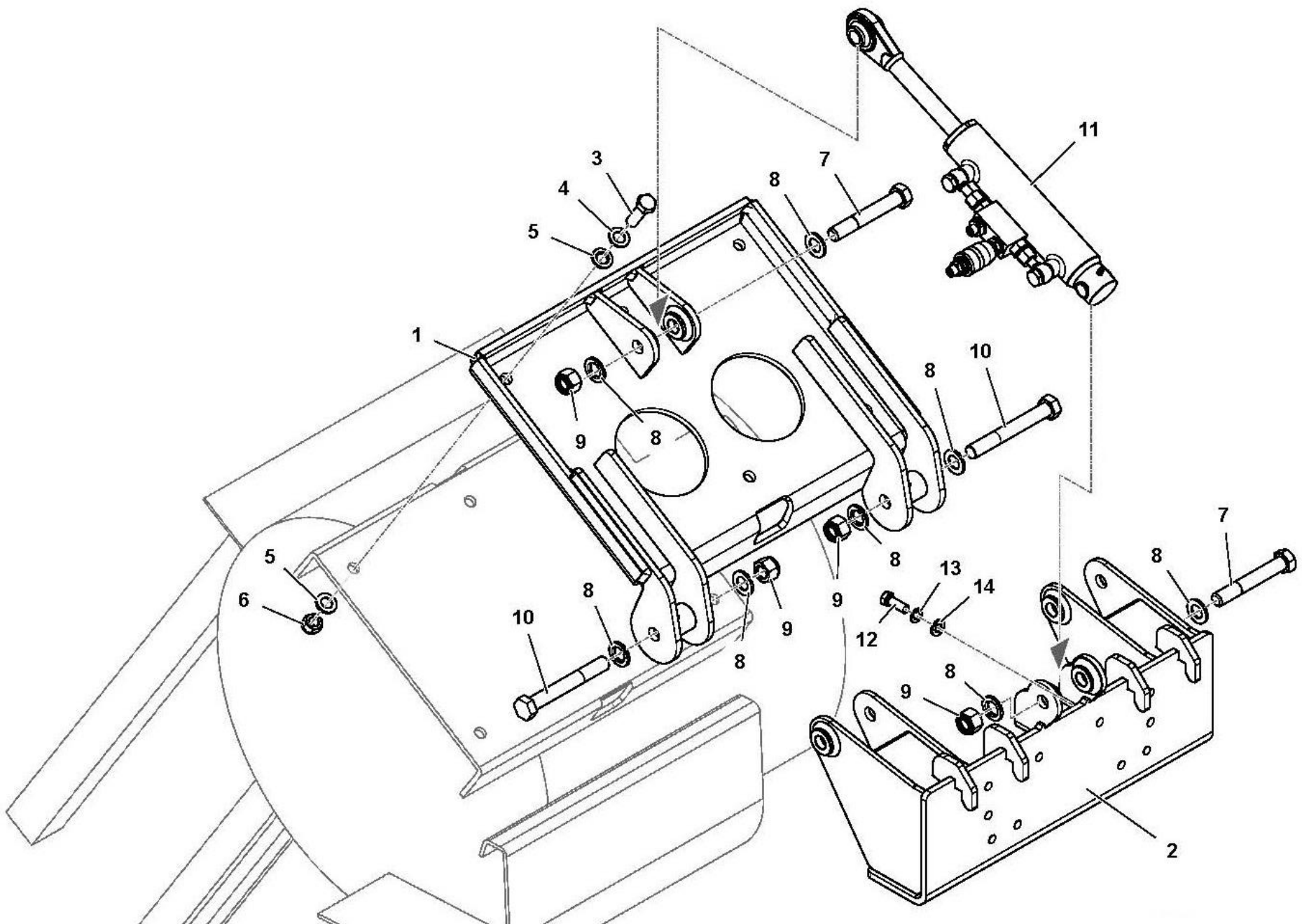
ROCK SPIKE CHAINSET 15x100

McCONNEL

Product: ROBO-TRENCHER



REF.	QTY.	PART No.	DESCRIPTION
			ROCK SPIKE CHAINSET 15x100
1	8	4001609	TRENCHING TOOTH - LH SCOOP
2	7	4001610	TRENCHING TOOTH - RH SCOOP
3	30	4001611	SPACER
4	4	4001616	ROCK SPIKE
5	8	4001614	BOLT
6	30	4001612	BOLT
7	30	4001615	NUT
8	1	4001608	CHAIN



LINKAGE MODULE**McCONNEL**

Product: ROBO-TRENCHER

REF.	QTY.	PART No.	DESCRIPTION
			LINKAGE MODULE
1	1	4001617	MOUNTING PLATE
2	1	4001618	MOUNTING BRACKET
3	6	4001529	BOLT
4	6	4000610	WASHER
5	12	4001537	WASHER
6	6	4000221	NUT
7	2	4001619	BOLT
8	8	4000370	WASHER
9	4	7316011	NUT
10	2	4001620	BOLT
11	1	4001621	HYDRAULIC RAM
12	10	7316033	BOLT
13	10	9100206	SPRING WASHER
14	10	9100106	WASHER



McConnel Limited, Temeside Works, Ludlow, Shropshire SY8 1JL. England.
Telephone: 01584 873131. Facsimile: 01584 876463. www.mcconnel.com